

EN



**Catalogue of parts and assemblies
for liquid heater
AUTOTERM Flow 5B
AUTOTERM Flow 5D**

АДВР.320.05.00.000 КДС

Manufacturer: ADVERS LLC

Novo-Sadovaja str. 106, 443068, Samara, Russia

www.autoterm.ru

Representative office of manufacturer: AUTOTERM LLC

Paleju 72, Marupe, Latvia, LV-2167

Warranty Department warranty@autoterm.com

Technical Support service@autoterm.com

www.autoterm.com

This part-and-assembly catalogue is intended for companies and individuals involved in installing, repairing, and maintaining liquid heater Autoterm Flow 5D, Flow 5B.

This catalogue consists of two sections:

1. A schematic drawing of the **pre-heater** (figure 1) and a list of the pre-heater's parts and assemblies (table 1)
2. A schematic drawing of the **heater** (figure 2) and a list of the heater's parts and assemblies (table 2)

If a part or assembly fails during use, look up its designation in this catalogue to order a replacement from the manufacturer.

IMPORTANT **For ease of ordering, use the manufacturer's product numbers listed in the tables below**

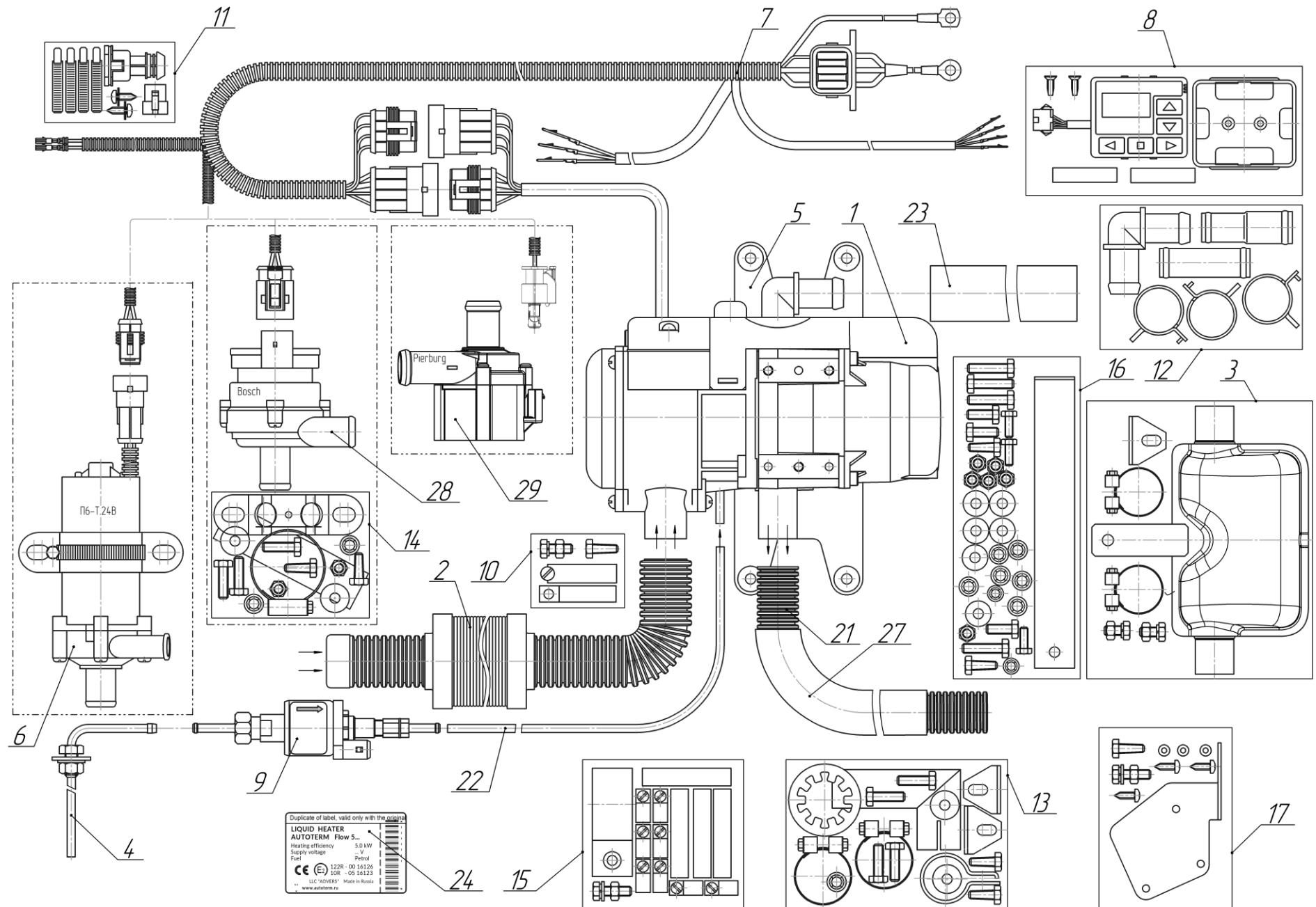


Figure 1- Schematic drawing of the pre-heater

Table 1

№	Part/assembly description and designation	Notes	Flow 5B assy 4820	Flow 5D assy 4825	Flow 5D (24V) assy 4830	Flow 5B assy 5235	Flow 5D assy 5240	Flow 5D (24V) assy 5245
	Pre-heater number		1	2	3	4	5	6
1	Heater							
	assy 4821	12V (petrol)	1			1		
	assy 4826	12V (diesel)		1			1	
	assy 4831	24V (diesel)			1			1
2	Air intake with silencer							
	assy 1125		1	1	1	1	1	1
3	Muffler							
	assy 3944		1	1	1	1	1	1
4	Fuel intake							
	assy 2063		1	1	1	1	1	1
5	Holder with shock-absorber							
	assy 3219		1	1	1	1	1	1
6	Pump							
	assy 2761	П6-T.24B			1			1
7	Harness							
	assy 4044		1	1				
	assy 4088				1			1
	assy 4366					1	1	
8	Control panel							
	assy 4725	PU-27TM2	1	1	1	1	1	1
9	Fuel pump							
	assy 4995	TH11-4,4ml-12V					1	
	assy 4997	TH11-4,4ml-24V						1
	P0636 12V	Thomas Magnete	1	1		1		
	P0637 24V	Thomas Magnete			1			
10	Air intake mounting kit							
	assy 9021		1	1	1	1	1	1
11	Mounting kit for harnesses							
	assy 9042		1	1	1	1	1	1
12	Mounting kit of cooling system							
	assy 9043		1	1	1	1	1	1
13	Mounting kit of exhaust system							
	assy 9044		1	1	1	1	1	1
14	Mounting kit of pump Bosch							
	assy 9045		1	1				
15	Mounting kit of fuel system							
	assy 9049		1	1	1	1	1	1
16	Mounting kit of heater and pump П6							
	assy 9059		1	1	1	1	1	1
17	Mounting kit of pump PIERBURG							
	assy 9085					1	1	
21	Metal hose							
	det.1106		1	1	1	1	1	1
22	Fuel supply line							
	det.1244		1	1	1	1	1	1
23	Pipe line							
	det.5260		1	1	1	1	1	1
24	Duplicate of label							
	det.5209		1			1		
	det.5210			1			1	
	det.5211				1			1
27	Heat insulation (28x5x450)		1	1	1	1	1	1
28	Pump Bosch PAD 12V		1	1				
29	Water circulation pump D-7.09198.00.0 (Pierburg)					1	1	

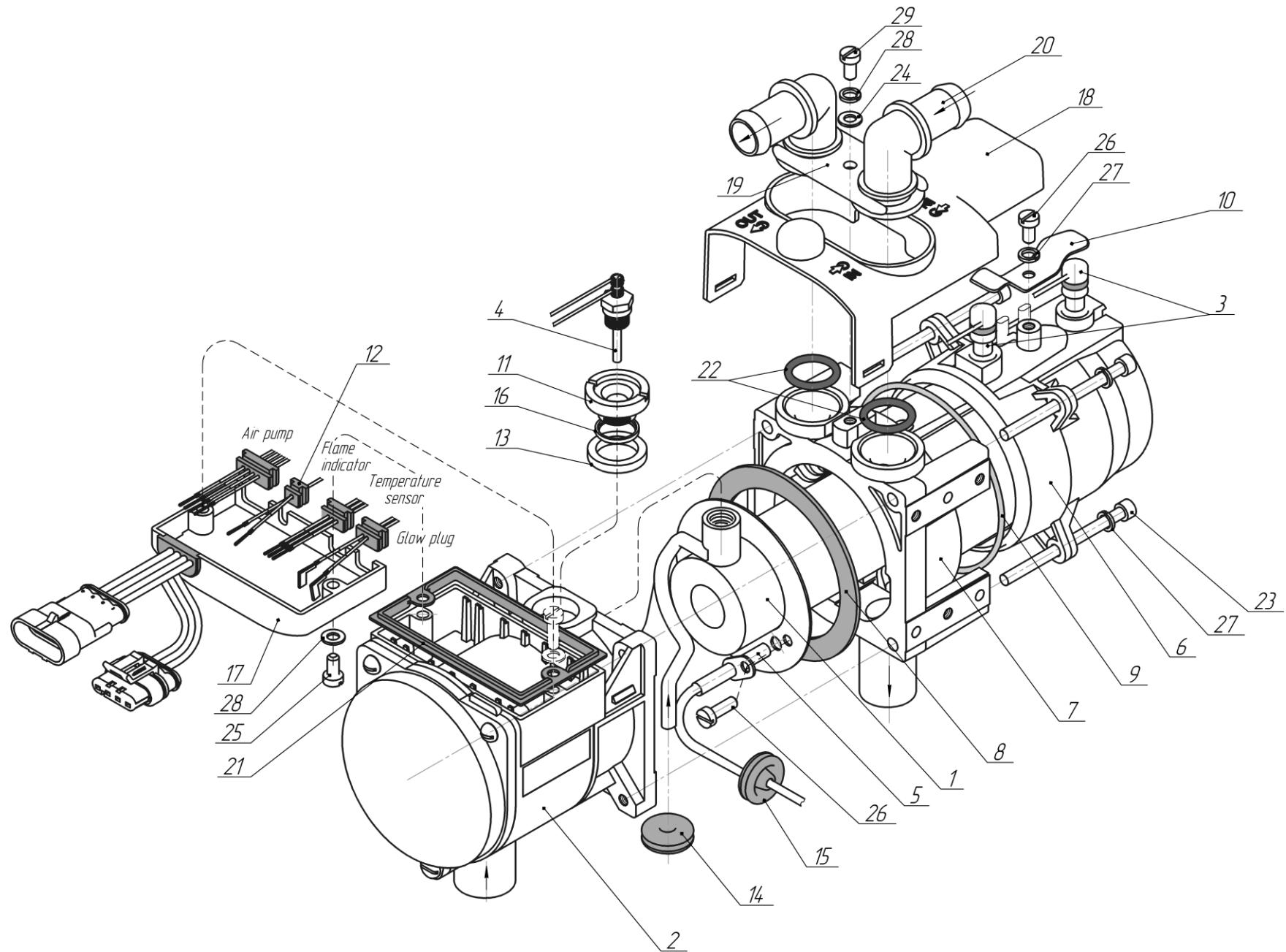


Figure 2- Schematic drawing of the heater

Table 2

№	Part/assembly description and designation	Notes	assy 4821	assy 4826	assy 4831
	Heater number		1	2	3
1	Combustion chamber				
	assy 3134	petrol	1		
	assy 3877	diesel		1	1
2	Air pump				
	assy 3135	HB-6-12B	1	1	
	assy 3110	HB-6-24B			1
3	Sensor assembly				
	assy 3111		1	1	1
4	Glow plug				
	assy 3136	9V	1	1	
	assy 3112	18V			1
5	Flame indicator				
	assy 3113		1	1	1
6	Housing				
	det. 3230		1	1	1
7	Heat exchanger				
	det. 3231		1	1	1
8	Gasket				
	det. 3232		1	1	1
9	O-ring				
	det. 3233		1	1	1
10	Clamp				
	det. 3234		1	1	1
11	Ferrule				
	det. 3235		1	1	1
12	Sealing				
	det. 3329		1	1	1
13	Ferrule				
	det. 859		1	1	1
14	Sealing				
	det. 21		1	1	1
15	Sealing				
	det. 2065		1	1	1
16	Washer				
	det. 3539		1	1	1
17	Control unit				
	assy 4377	petrol 12V	1		
	assy 4381	diesel 12V		1	
	assy 4388	diesel 24V			1
18	Housing				
	det.3223		1	1	1
19	Clamp				
	det. 4269		1	1	1
20	Angular branch pipe				
	det. 3224		2	2	2

№	Part/assembly description and designation	Notes	assy 4821	assy 4826	assy 4831
21	Sealing				
	det. 3227		1	1	1
22	O-ring				
	det. 64		2	2	2
23	Screw M5x70 DIN 912		4	4	4
24	Washer 5		1	1	1
25	Screw 4,8x25 DIN 7981		2	2	2
26	Screw M5x10 DIN 7500-CE		2	2	2
27	Lock washer 5		6	6	6
28	Lock washer 5 DIN 6798-J		1	1	1
29	Screw M5x16 DIN 912		1	1	1